

OPERATION

Insert the detergent container into the Power Bowl Ultra. Check to see that the container is properly pushing down on the paddle valve. If the paddle is not depressed far enough, the water flow into the capsule will be shut off.

Run the dishmachine through a few test cycles and inspect the operation of both the warewash dispenser and Power Bowl Ultra to ensure the proper detergent feed is achieved. Check all plumbing connections for leaks.

DISCLAIMER

Knight Inc. does not accept responsibility for the mishandling, misuse, or non-performance of the described items when used for purposes other than those specified in the instructions. For hazardous materials information consult label, MSDS, or Knight Inc.

WARRANTY

All Knight controls and pump systems are warranted against defects in material and workmanship for a period of ONE year. All electronic control boards have a TWO year warranty. Warranty applies only to the replacement or repair of such parts when returned to factory with a Knight Return Authorization (KRA) number, freight prepaid, and found to be defective upon factory authorized inspection. Bearings and pump seals or rubber and synthetic rubber parts such as "O" rings, diaphragms, squeeze tubing, and gaskets are considered expendable and are not covered under warranty. Warranty does not cover liability resulting from performance of this equipment nor the labor to replace this equipment. Product abuse or misuse voids warranty.



POWER BOWL ULTRA INSTRUCTION MANUAL

WARNING: DUE TO TYPICAL INSTALLATION REQUIREMENTS AND THE CAUSTIC CONTENT OF MANY CHEMICAL PRODUCTS, IT IS REQUIRED THAT ALL POWER AND WATER SUPPLIES BE SHUT OFF BEFORE CONNECTING OR SERVICING OF THE POWER BOWL ULTRA AND ANY CONNECTED PERIPHERAL DEVICES.

See the diagrams on pages 2 and 3 for details on the following instructions. Choose one of the mounting examples shown below that will best suit the application.

WALL MOUNTING

- (1) To mount the Power Bowl Ultra on the wall, use the wall anchors and screws provided in the accessory kit.

To mount the Power Bowl Ultra on the outside wall of the dishmachine, use the stainless steel screws, nuts, and washers in the accessory kit.

- (2) Drill or punch a 7/8" hole in the washtank (if a hole is not already provided) above water level, and install the included barbed bulkhead fitting.
- (3) Use the included 5/8" ID vinyl tube to run from the outlet (or bottom end) of the bowl to the bulkhead fitting. Keep the tube length as short as possible for best results.

TOP MOUNTING

- (1) Drill or punch a 7/8" hole on the top of the dishmachine (if a hole is not already provided) and secure the bowl to the top of the dishmachine with the one of the rubber gaskets and 1/2" locknut included.
- (2) Use the included 5/8" ID vinyl tube to run from the outlet (or bottom end) of the bowl down to the washtank area. Secure the tube inside the dishmachine so that the open end is above water level.

PLUMBING

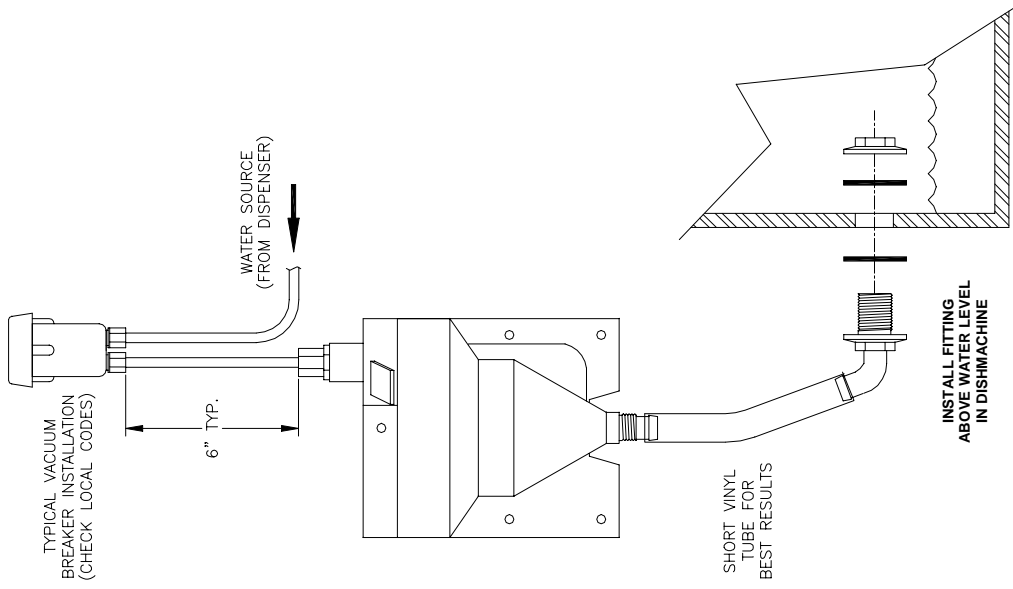
Connect copper or poly tubing from the water source (dispenser solenoid) to the input fitting on the Power Bowl Ultra.

- MAXIMUM WATER PRESSURE IS 40 PSI
- MAXIMUM WATER TEMPERATURE IS 160°F

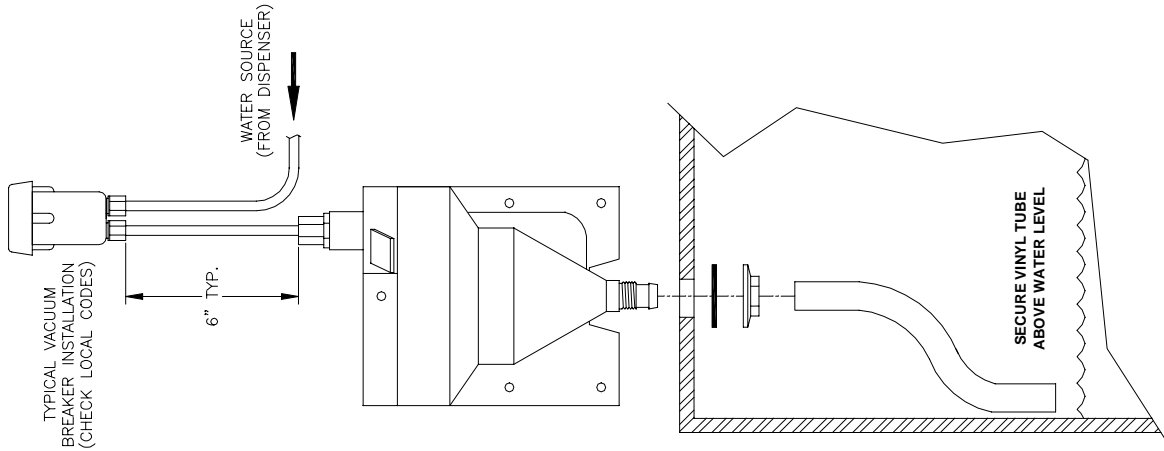
NOTE: Some plumbing codes require a vacuum breaker to be mounted between the water source and the Power Bowl Ultra. Regulations of this type typically require that the vacuum breaker be mounted a minimum of 6" above the highest point of the Power Bowl Ultra. Consult local plumbing regulations for applicability.

(Continued on page 4)

WALL MOUNT EXAMPLE



TOP-MOUNT TO DISHMACHINE



PARTS DIAGRAM

